 **Customisable**
button prints
and LED colours
to suit different
applications

Features

- 2 mA DALI line current
- Up to 63 units per DALI line
- Black and white finishes available
- Tactile buttons for user accessibility
- Replaceable buttons with customisable printing



Integrated illumination

Configurable inbuilt LED status indicator for user convenience



Inbuilt temperature sensor

Wall mount location for improved temperature accuracy



Wireless interface

Mesh models do not require a local control interface



Selectable actions

Selectable button actions on DALI application controller



Product range

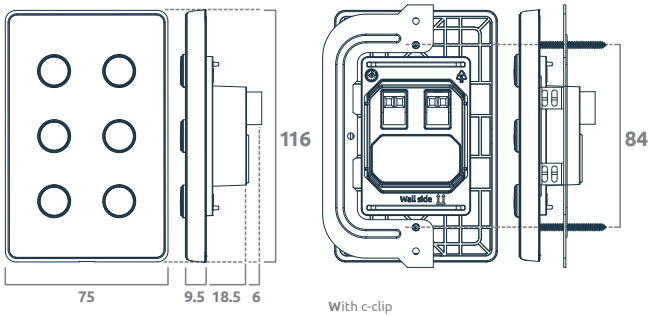
Order code	Description
zc-ss-6sw-wht	Smart switch with 6 buttons to suit 84 mm wall mount, white
zc-ss-6sw-blk	Smart switch with 6 buttons to suit 84 mm wall mount, black

Features

- 2 mA DALI line current
- Up to 63 units per DALI line
- Black and white finishes available
- Tactile buttons for user accessibility
- Replaceable buttons with customisable printing
- Used on wired and wireless DALI networks
- Selectable button actions on DALI-2 application controller

Dimensions (mm)

Fixing centres	84 mm	Dimensions	W75 / H117 / D34 mm
----------------	-------	------------	---------------------



Notice

- The DALI line is not SELV. It must be treated like LV mains and treated with the same precautions and wiring regulations.
- This product is not bus powered and requires the 240V supply to be connected

Specifications

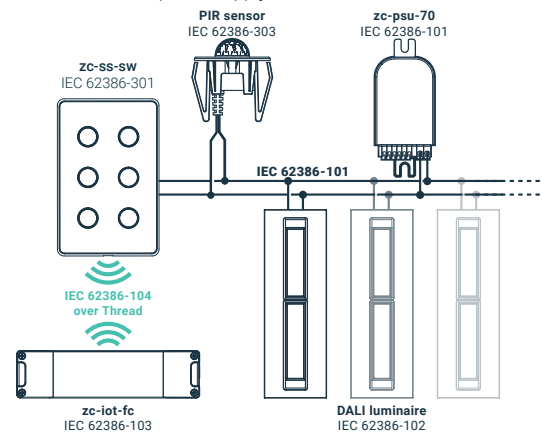
Supply	220 - 240 V~ 50Hz	
Class	II	
Control system	Wired DALI-2	Wireless IEC62386-104 over Thread
Radio support	IEEE 802.15.4	
Frequency band	2.4 GHz	
Max radio tx power	+8 dBm	
DALI line current	2 mA	
Wiring	0.5 - 2.5 mm ²	Strip 7 mm
Operating temperature	0 to 55°C	
Material	PC UV stabilised, toughened glass, aluminium	
Ingress protection	IP20	
Compliance standards	IEC 60669-2-1 CISPR 15 IEC 62386-301	EMC-2004/108/EC LVD-2006/95/EC IEC 62386-104

System overview: modes

104 mode is enabled after the device has been added to a 104 application controller such as zc-iot-fc.



104 + 101 Bridge mode is enabled after the device has been added to a 104 controller and a 101 power supply has been connected to the DALI terminals.



101 mode is enabled after a 101 power supply has been connected to the DALI terminal and the device **has not** been added to a 104 application controller.

