

# Edison Downlight Range

## No Glare Trimless Series LRTD-DN11A-15W



### FEATURES



- Deep recessed anti-glare design
- Trimless surround and soft edge for flawless clean look
- Ripple free dimming prevents visible flickering
- Commercial grade quality heat sink
- Long life-span with low power consumption
- Active power factor correction:  $>0.9$
- Amplitude modulation lighting improves camera recording
- DALI-2 power monitoring support
- Double isolated for zero earth leakage
- Protections against overheating and short circuits, overloads and mains voltage spikes
- Pre-wired with DALI twin lead for fast installation




# Edison Downlight Range



## No Glare Trimless Series LRTD-DN11A-15W

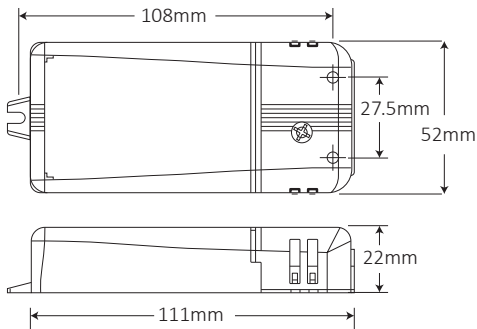
### LUMINAIRE SPECIFICATION

SKU	DIAMETER	WATTAGE
LRTD-DN11A-15W	Ø 90mm	15W
Dimensions	<b>A</b> Ø 94mm <b>B</b> Ø 90mm <b>C</b> 104mm	
Colour Temp	3000K, 4000K, 5000K	
Cut-out Size	Ø 90mm	
Beam Angle	 45°	
IP Rating	IP20	
Colour	White	
Dimmable	Yes, DALI	
Efficiency(lm/w)	100-120m/w	
CRI	Ra 90	

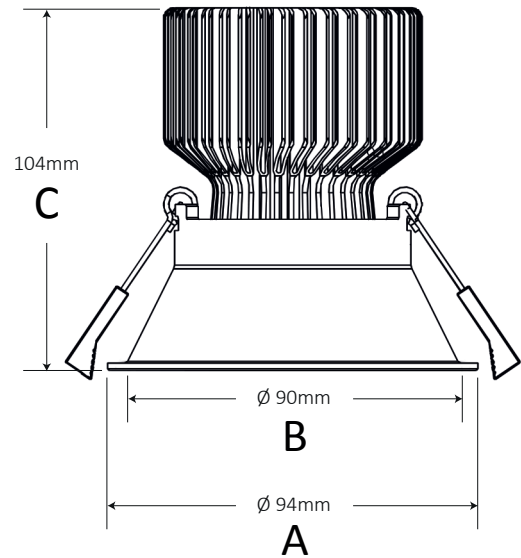


### TECHNICAL SPECIFICATION

Driver Supplied	TCL Mini Jolly DALI-2
Rated Voltage	220-240VAC 50-60Hz
Working Temp	-25 ~ +45°C
In Rush Current	SA SOµs
Thermal Protection	= C.5.a.
Body Material	Aluminium
Warranty	10 years (5% Failure Rate)



LRTD-DN11A-15W



### STANDARDS COMPLIANCE

CSA C22.2 no. 223 (2)	EN 61547	EN 61347-1
EN 50172 (VOE 0108)	EN 62384	EN 61347-2-13
EN 55015	EN 62386-101	UL 1310 (2)
EN61000-3-2	EN 62386-102	VOE 0710-T14
EN61000-3-3	EN 62386-207	

