



## FEATURES



- Contemporary elegant flush profile
- Fixed and adjustable tilt models
- Ripple free dimming prevents visible flickering
- Commercial grade quality heat sink and installation springs
- Made with LM-80 certified COB LED chips
- DALI DT8 colour tuneable
- Active power factor correction
- Monitored DALI emergency options, with plug-in EM blades and EM spot
- Plug-in DALI-2 motion sensor accessories
- DALI-2 wireless option
- DALI-2 power monitoring support
- Includes 5 wire plug and socket terminals for DALI cabling
- Long life-span with low power consumption
- Protections against overheating and short circuits, overloads and mains voltage spikes



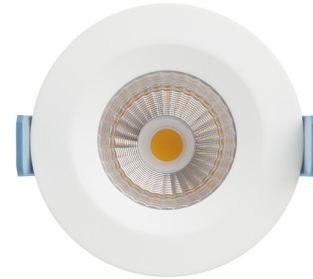
# Herschel Downlight Range with zencontrol Smart Driver



## Flat Ring Series LRZDHC04-F1-FR / LRZDHC04-F1-AR

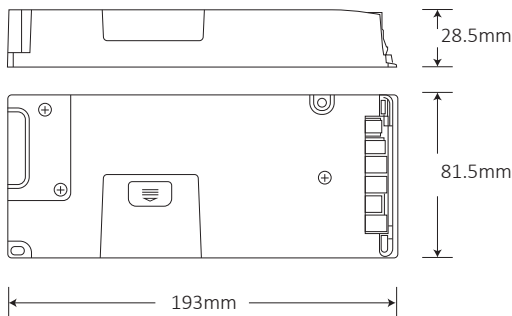
### LUMINAIRE SPECIFICATION

SKU	DIAMETER	WATTAGE	
LRZDHC04-F1-FR	Ø 106mm	10W, 12W, 15W	Fixed Downlight
LRZDHC04-F1-AR	Ø 113mm	10W, 12W, 15W, 20W	Adjustable Tilt 30°
Colour Temp	2700K, 3000K, 4000K 5000K		
Colour Tuneable	2700K-6500K		
Beam Angle			
IP Rating	IP20, IP44		
Colour	White		
Dimmable	Yes, DALI		
Light Source Brand	Toyonia COB		
Efficiency(lm/w)	85-95lm/w		
CRI	Ra 90 (95 Option)		

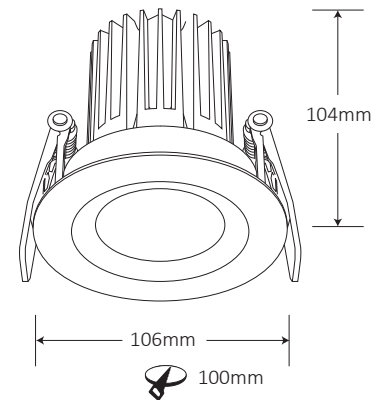


### TECHNICAL SPECIFICATION

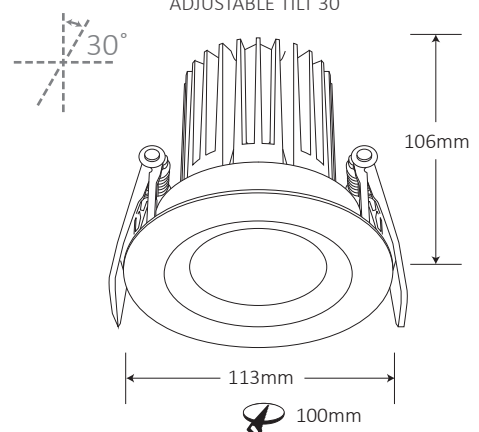
Driver Supplied	zencontrol Smart Driver
Rated Voltage	220-240VAC 50-60Hz
Working Temp	-25 ~ +60°C
Body Material	Aluminium
Warranty	3 years (5% Failure Rate)



LRZDHC04-F1-FR:  
FIXED



LRZDHC04-F1-AR:  
ADJUSTABLE TILT 30°



### STANDARDS COMPLIANCE

IEC 61347-1	AS/NZS 61347-2-13
IEC 61347-2-7	AS/NZS 2293.3
IEC 61347-2-13	CISPR 15
AS/NZS 61347-1	AS/NZS 62386 V2

