



FEATURES



- Deep recessed anti-glare design
- Fixed and adjustable tilt models
- Ripple free dimming prevents visible flickering
- Commercial grade quality heat sink and installation springs
- Made with LM-80 certified COB LED chips
- DALI DT8 colour tuneable
- Monitored DALI emergency options, with plug-in EM blades and EM spot
- Plug-in DALI-2 motion sensor accessories
- DALI-2 power monitoring support and DALI-2 wireless option
- Includes 5 wire plug and socket terminals for DALI cabling
- Protections against overheating and short circuits, overloads and mains voltage spikes
- Luxury colour finishes available for inner rings



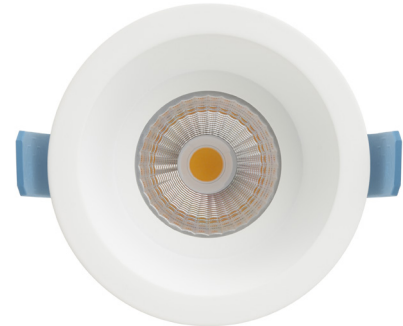
Hawking Downlight Range with zencontrol Smart Driver



No Glare Comfort Series LRZDHC04-A1-FR / LRZDHC04-A1-AR

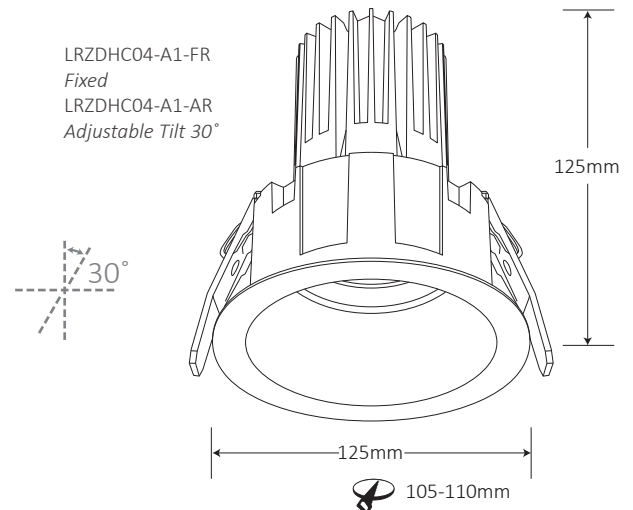
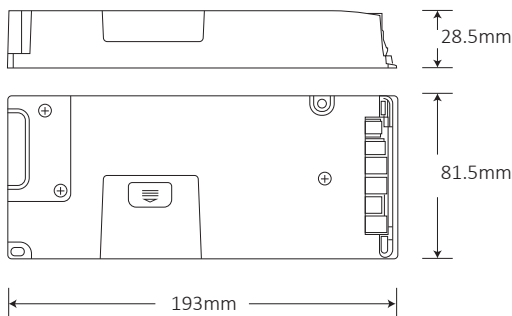
LUMINAIRE SPECIFICATION

SKU	DIAMETER	WATTAGE	
LRZDHC04-A1-FR	Ø 125mm	15W, 20W, 25W, 30W	Fixed Downlight
LRZDHC04-A1-AR	Ø 125mm	15W, 20W, 25W, 30W	Adjustable Tilt 30°
Colour Temp	2700K, 3000K, 4000K, 5000K		
Colour Tuneable	2700K-6500K		
Beam Angle			
IP Rating	IP20, IP44		
Colour	White		
Dimmable	Yes, DALI		
Light Source Brand	Toyonia COB		
Efficiency(lm/w)	85-95lm/w		
CRI	Ra 90 (95 Option)		



TECHNICAL SPECIFICATION

Driver Supplied	zencontrol Smart Driver
Rated Voltage	220-240VAC 50-60Hz
Working Temp	-25 ~ +60°C
Body Material	Aluminium
Warranty	3 years (5% Failure Rate)



LUXURY FINISHES FOR INNER RINGS



3 YEARS WARRANTY
5% FAILURE RATE



STANDARDS COMPLIANCE

IEC 61347-1	AS/NZS 61347-2-13
IEC 61347-2-7	AS/NZS 2293.3
IEC 61347-2-13	CISPR 15
AS/NZS 61347-1	AS/NZS 62386 V2



FITTING SHOWN WITH MIRROR INNER RING

