

# Franklin Downlight Range with zencontrol Smart Driver

**Classic Series** LRZDHD03-V1-D / LRZDHD04-V1-D /  
LZDZHD06-V1-D / LRZDHD08-V1-D



## FEATURES



- Eternal classic style, high quality construction
- Standard and large sizes available with a broad range of wattages
- No visible flickering, even with high speed cameras
- Commercial grade quality heat sink and installation springs
- Large sizes with supportive flip out legs for secure mounting
- DALI DT8 colour tuneable
- Active power factor correction
- Monitored DALI emergency options, with plug-in EM blades and EM spot
- Plug-in DALI-2 motion sensor accessories
- DALI-2 wireless option
- DALI-2 power monitoring support
- Includes with 5 wire plug and socket terminals for DALI cabling
- Long life-span with low power consumption
- Protections against overheating and short circuits, overloads and mains voltage spikes

**tunable** | Suite 2209 / 31 Lasso Road Gregory Hills NSW 2557

T 1300 943 233 | E [info@tunable.com.au](mailto:info@tunable.com.au) | [tunable.com.au](http://tunable.com.au)

DATASHEET V2 01.03.22




# Franklin Downlight Range with zencontrol Smart Driver



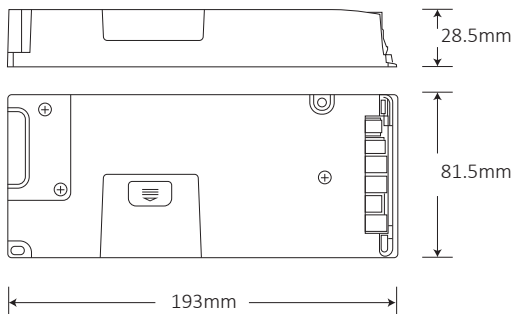
## Classic Standard LRZDHD03-V1-D / LRZDHD04-V1-D

### LUMINAIRE SPECIFICATION

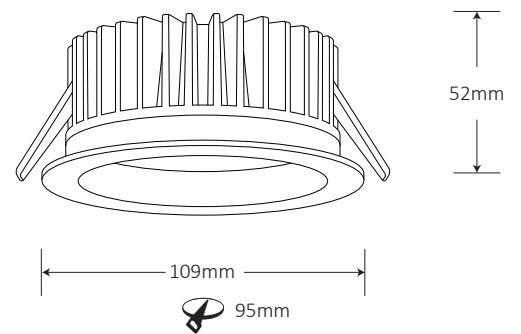
SKU	DIAMETER	WATTAGE
LRZDHD03-V1-D	Ø 109mm	10W, 12W, 15W
LRZDHD04-V1-D	Ø 145mm	10W, 12W, 15W, 20W
Colour Temp	2700K, 3000K, 4000K, 5000K, 6000K	
Colour Tuneable	2700K-6500K	
Beam Angle	 90°	
IP Rating	IP20, IP44	
Colour	White	
Dimmable	Yes, DALI	
Light Source Brand	Toyonia COB	
Efficiency(lm/w)	85-105lm/w	
CRI	80 (90 Option)	

### TECHNICAL SPECIFICATION

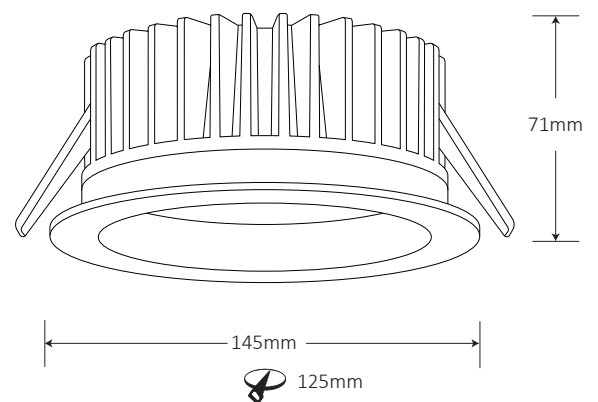
Driver Supplied	zencontrol Smart Driver
Rated Voltage	220-240VAC 50-60Hz
Working Temp	-25 ~ +60°C
Protection (Fuse)	2A-250v
Body Material	Aluminium
Warranty	3 years (5% Failure Rate)



LRZDHD03-V1-D



LRZDHD04-V1-D



### STANDARDS COMPLIANCE

IEC 61347-1	AS/NZS 61347-2-13
IEC 61347-2-7	AS/NZS 2293.3
IEC 61347-2-13	CISPR 15
AS/NZS 61347-1	AS/NZS 62386 V2

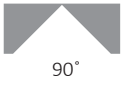


# Franklin Downlight Range with zencontrol Smart Driver



## Classic Large LRZDHD06-V1-D / LRZDHD08-V1-D

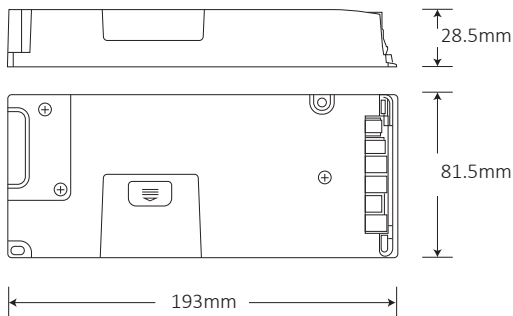
### LUMINAIRE SPECIFICATION

SKU	DIAMETER	WATTAGE
LRZDHD06-V1-D	Ø 190mm	20W, 25W, 30W
LRZDHD08-V1-D	Ø 228mm	25W, 30W, 35W, 40W
Colour Temp	2700K, 3000K, 4000K, 5000K, 6000K	
Colour Tuneable	2700K-6500K	
Beam Angle	 90°	
IP Rating	IP20, IP44	
Colour	White	
Dimmable	Yes, DALI	
Light Source Brand	Toyonia COB	
Efficiency(lm/w)	85-105lm/w	
CRI	80 (90 Option)	

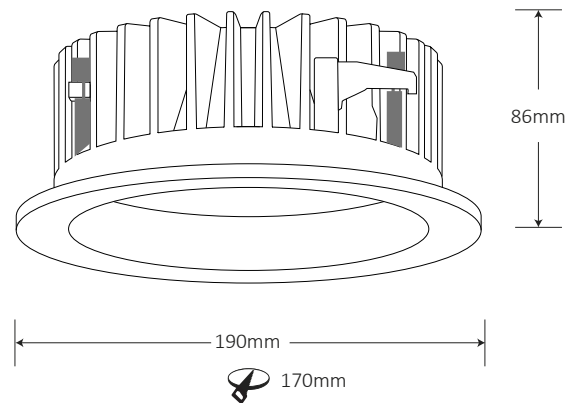


### TECHNICAL SPECIFICATION

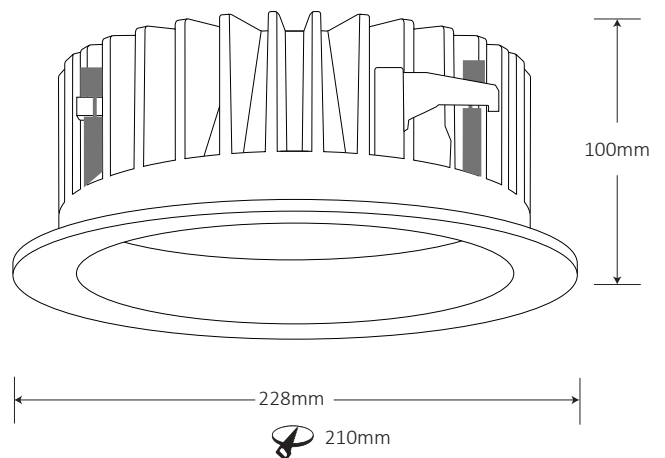
Driver Supplied	zencontrol Smart Driver
Rated Voltage	220-240VAC 50-60Hz
Working Temp	-25 ~ +60°C
Protection (Fuse)	2A-250v
Body Material	Aluminium
Warranty	3 years (5% Failure Rate)



LRZDHD06-V1-D



LRZDHD08-V1-D



### STANDARDS COMPLIANCE

IEC 61347-1	AS/NZS 61347-2-13
IEC 61347-2-7	AS/NZS 2293.3
IEC 61347-2-13	CISPR 15
AS/NZS 61347-1	AS/NZS 62386 V2

