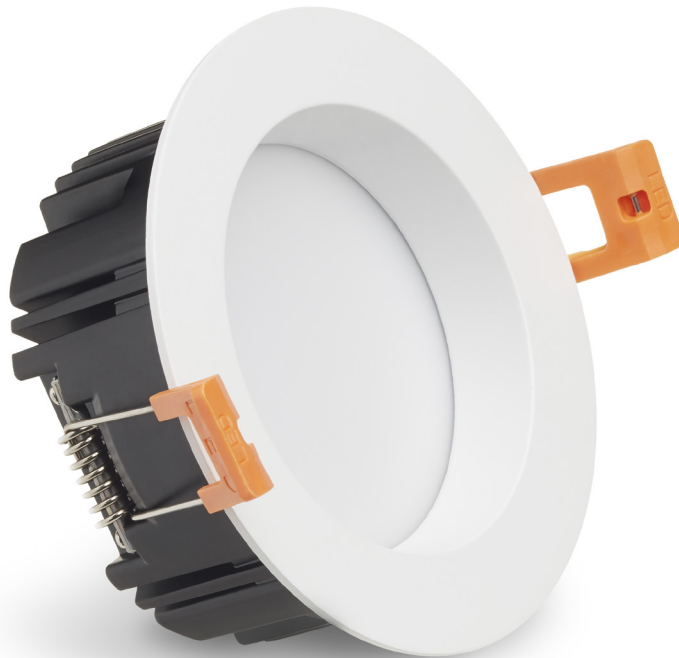


Crick Downlight Range with zencontrol Smart Driver

Value Series LRZDHD03-P1-DR / LRZDHD06-P1-DR



FEATURES



- Shallow depth for limited ceiling height
- Standard and large sizes available with a broad range of wattages
- Ripple free dimming prevents visible flickering
- Active power factor correction
- Monitored DALI emergency options, with plug-in EM blades and EM spot
- Plug-in DALI-2 motion sensor accessories
- DALI-2 wireless option
- DALI-2 power monitoring support
- Includes 5 wire plug and socket terminals for DALI cabling
- Long life-span with low power consumption
- Protections against overheating and short circuits, overloads and mains voltage spikes
- Luxury colour finishes available for inner rings




Crick Downlight Range with zencontrol Smart Driver



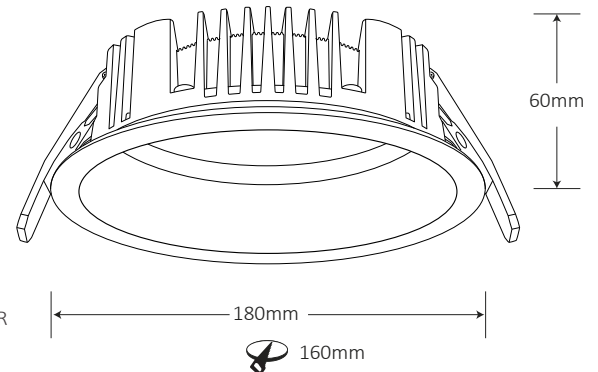
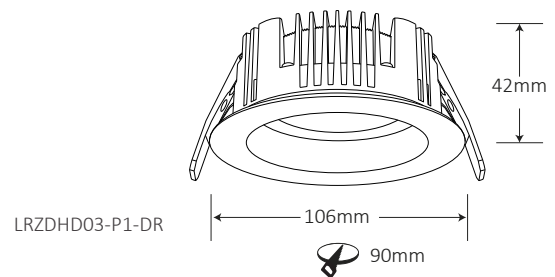
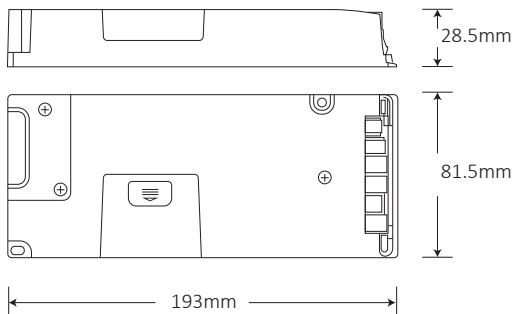
Value Series LRZDHD03-P1-DR / LRZDHD06-P1-DR

LUMINAIRE SPECIFICATION

SKU	DIAMETER	WATTAGE
LRZDHD03-P1-DR	Ø 106mm	10W, 12W, 15W
LRZDHD06-P1-DR	Ø 180mm	15W, 20W, 25W, 30W
Colour Temp	2700K, 3000K, 4000K, 5000K, 6000K	
Beam Angle	 90°	
IP Rating	IP20, IP44, IP65	
Colour	White	
Dimmable	Yes, DALI	
Light Source Brand	Samsung SMD	
Efficiency(lm/w)	90-110lm/w	
CRI	Ra 90	

TECHNICAL SPECIFICATION

Driver Supplied	zencontrol Smart Driver
Rated Voltage	220-240VAC 50-60Hz
Working Temp	-25 ~ +60°C
Body Material	Aluminium
Warranty	3 years (5% Failure Rate)



STANDARDS COMPLIANCE

IEC 61347-1	AS/NZS 61347-2-13
IEC 61347-2-7	AS/NZS 2293.3
IEC 61347-2-13	CISPR 15
AS/NZS 61347-1	AS/NZS 62386 V2

COLOUR TRIMS ONLY AVAILABLE ON LARGER LRZDHD06-P1-DR



Black

Mirror



Silver

Golden

tunable | Suite 2209 / 31 Lasso Road Gregory Hills NSW 2557

T 1300 943 233 | E info@tunable.com.au | tunable.com.au

DATASHEET V2 01.03.22

