

Franklin Downlight Range

Classic Series LRTDHD03-V1-D / LRTDHD04-V1-D / LRTDHD06-V1-D / LRTDHD08-V1-D



FEATURES

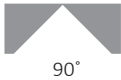


- Eternal classic style, high quality construction
- Standard and large sizes available with a broad range of wattages
- Ripple free dimming prevents visible flickering
- Commercial grade quality heat sink and installation springs
- Large sizes with supportive flip out legs for secure mounting
- Long life-span with low power consumption
- Active power factor correction
- Protections against overheating and short circuits, overloads and mains voltage spikes
- Amplitude modulation lighting improves camera recording
- Double isolated for zero earth leakage

Franklin Downlight Range

Classic Standard LRTDHD03-V1-D / LRTDHD04-V1-D

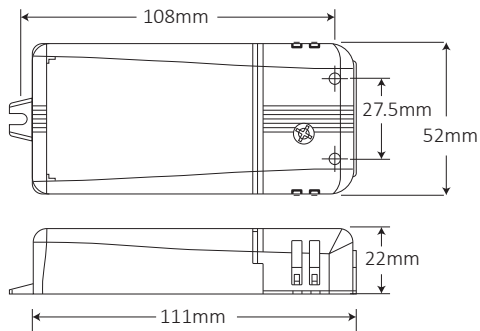
LUMINAIRE SPECIFICATION

SKU	DIAMETER	WATTAGE
LRTDHD03-V1-D	Ø 109mm	10W, 12W, 15W
LRTDHD04-V1-D	Ø 145mm	10W, 12W, 15W, 20W
Colour Temp	2700K, 3000K, 4000K, 5000K, 6000K	
Beam Angle	 90°	
IP Rating	IP20, IP44	
Colour	White	
Dimmable	Yes, DALI	
Light Source Brand	Samsung SMD	
Efficiency(lm/w)	85-105lm/w	
CRI	80 (90 Option)	

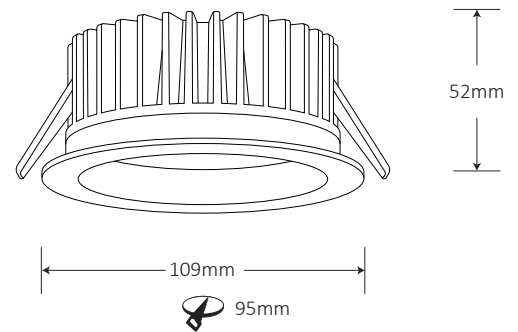


TECHNICAL SPECIFICATION

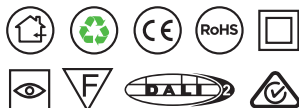
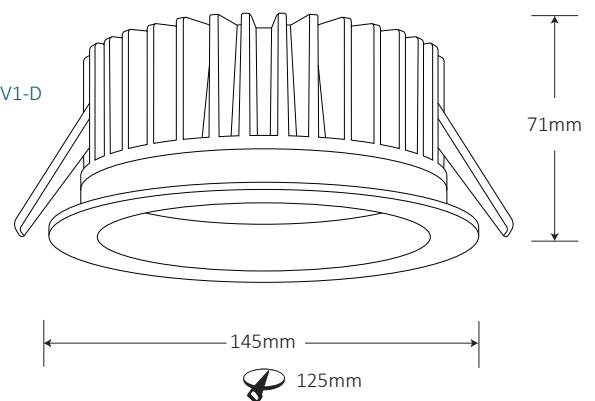
Driver Supplied	TCI Mini Jolly DALI-2
Rated Voltage	220-240VAC 50-60Hz
Working Temp	-25 ~ +45°C
In rush current	5A 50µs
Thermal Protection	= C.5.a.
Body Material	Aluminium
Warranty	10 years (5% Failure Rate)



LRTDHD03-V1-D



LRTDHD04-V1-D



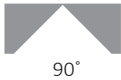
STANDARDS COMPLIANCE

CSA C22.2 no. 223 (2)	EN 61547
EN 50172 (VDE 0108)	EN 62384
EN 55015	EN 62386-101
EN61000-3-2	EN 62386-102
EN61000-3-3	EN 62386-207
EN 61347-1	UL 1310 (2)
EN 61347-2-13	VDE 0710-T14

Franklin Downlight Range

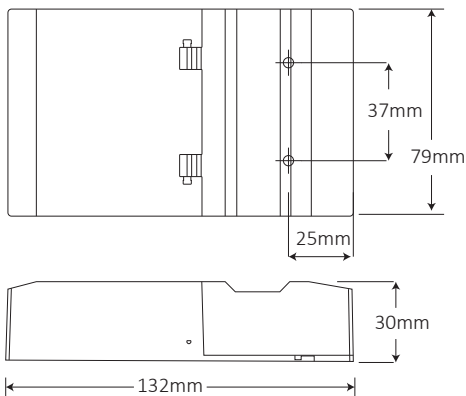
Classic Large LRTDHD06-V1-D / LRTDHD08-V1-D

LUMINAIRE SPECIFICATION

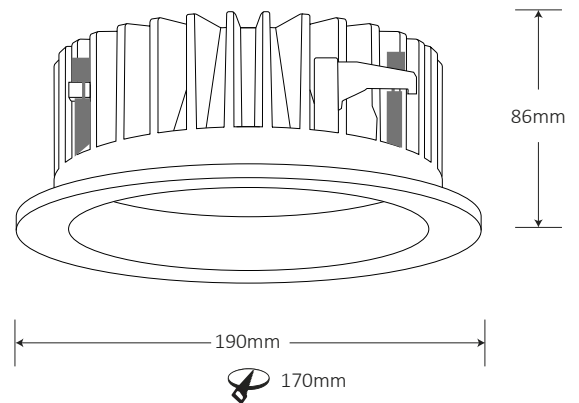
SKU	DIAMETER	WATTAGE
LRTDHD06-V1-D	Ø 190mm	20W, 25W, 30W
LRTDHD08-V1-D	Ø 228mm	25W, 30W, 35W, 40W
Colour Temp	2700K, 3000K, 4000K, 5000K, 6000K	
Beam Angle	 90°	
IP Rating	IP20, IP44	
Colour	White	
Dimmable	Yes, DALI	
Light Source Brand	Samsung SMD	
Efficiency(lm/w)	85-105lm/w	
CRI	80 (90 Option)	

TECHNICAL SPECIFICATION

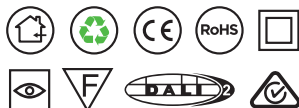
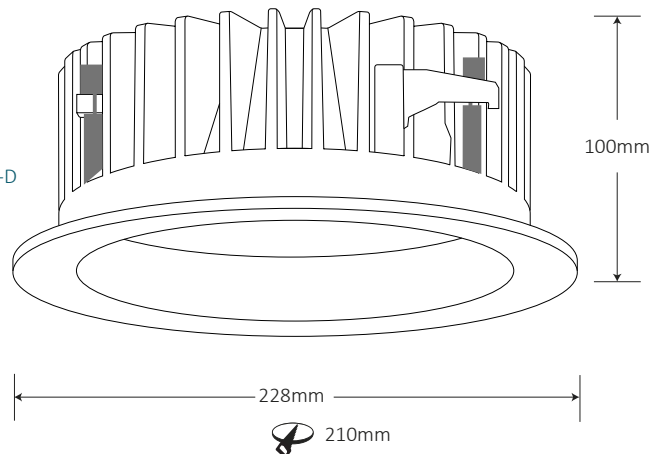
Driver Supplied	TCl Professionale DALI 40
Rated Voltage	220-240VAC 50-60Hz
Working Temp	-25 ~ +45°C
In rush current	5A 50µs
Thermal Protection	= C.5.a.
Body Material	Aluminium
Warranty	10 years (5% Failure Rate)



LRTDHD06-V1-D



LRTDHD08-V1-D



STANDARDS COMPLIANCE

CSA C22.2 no. 223 (2)	EN 61547
EN 50172 (VDE 0108)	EN 62384
EN 55015	EN 62386-101
EN61000-3-2	EN 62386-102
EN61000-3-3	EN 62386-207
EN 61347-1	UL 1310 (2)
EN 61347-2-13	VDE 0710-T14